

1125PCL SERIES



COXREELS 1125PCL Series professional-grade hand crank and motorized cord reels feature the industry preferred design including a drum-located, easy to access slip ring assembly for simple routine maintenance and a sturdy all-welded "A" frame built to efficiently handle the most demanding of tasks. The unique permanently lubricated and self-aligning pillow block bearings at each end of the drum allow smooth rotation and are specifically designed for rough, heavy-duty applications. These innovative models handle long length of 12/3 Gage or 10/3 Gage SO type power cord.

SWIVEL

- Drum-located slip ring assembly with easy to access cover for simple routine maintenance
- Available with 30 Amps or 45 Amps, 600 Volt rated slip ring assembly (see chart)

DESIGN & STRUCTURE

- All welded steel "A" frame construction to strengthen the reel structure
- Narrow width for convenient installation in restricted spaces
- Permanently lubricated self-aligning pillow block bearings for trouble-free & smooth rotation
- "Cable Keeper" to prevent the lead cable from whipping or twisting
- Adjustable tension brake to prevent "free-wheeling" during operation
- Long-handled locking pin to secure reel from rotation during transport or storage

RETRACTION

- Solid steel direct hand crank with smooth round handle

SIGNATURE FEATURES

- Professional grade heavy duty steel construction
- Durable proprietary CPC™ powder coat finish
- CNC robotically spun and ribbed discs with rolled edges provide strength, safety, and durability
- Industry leading 2 year manufacturer's limited warranty
- Made in the U.S.A. – Sold & Supported Worldwide

POSSIBLE FIELDS OF APPLICATION

- Power Tools
- Light Source
- General Industrial
- Manufacturing Plants & Facilities
- Service/Mechanic/Utility Vehicles
- Mining, Construction & Railroad Operations

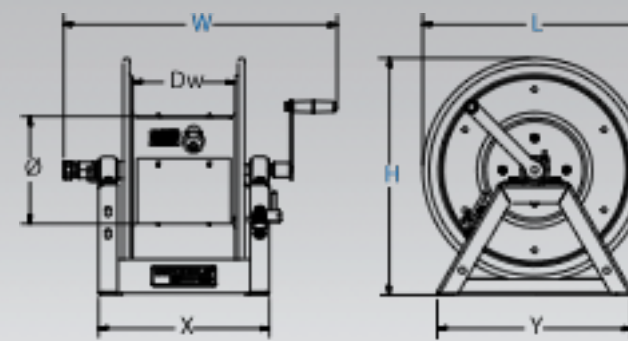
MODELS

ACCESSORIES

VIDEOS

TECHNICAL DOCUMENTS

- Product manual - [DOWNLOAD](#)
- Exploded drawings - [DOWNLOAD](#)



Click "Add to Quote" to view compatible accessories

REEL			SPECS				SIZE INDEX			
MODEL	LBS	CORD	VOLTS	10GA	12GA	AMPS	W	H	L	
Overall Dimensions										
1125PCL-8-C	38	N	600	200	250	30	21-1/2"	18-1/2"	17-1/2"	Add to Quote
1125PCL-8M-C	38	N	600	200	250	45	21-1/2"	18-1/2"	17-1/2"	Add to Quote

▶ See **Motorized** offering



USA Made, Quality & Support
We take great pride in designing, building and supplying the world's finest reels made right here in the U.S.A.



2 Year Warranty
Coxreels proudly stands behind our reels as they are built to last!

PRODUCTS

Spring Driven

EZ-Coil®

Hand Crank

Motor Driven

Spring Driven & EZ-Coil® Accessories

Hand Crank & Motor Driven Accessories

INDUSTRIES

NEW RELEASES

LITERATURE

KNOWLEDGE CENTER

ABOUT COXREELS

REQUEST A QUOTE

FIND A DISTRIBUTOR

CONTACT US

Toll Free [800-269-7335](tel:800-269-7335)

Fax [800-229-7335](tel:800-229-7335)

Email info@coxreels.com

5865 S. Ash Ave.
Tempe, AZ 85283

Copyright © 2015 Coxreels
[Privacy Policy](#) | [Terms & Conditions](#)

