

EZ-P SERIES



COXREELS P Series "Performance" spring driven hose reels have a long history of dependability and trouble free performance. Their compact space-saving size and heavy duty construction make them highly versatile and virtually indestructible. Time-tested proven components, superior design and craftsmanship have contributed to its worldwide reputation as the most trusted hose reel.

SWIVEL

- External fluid path with machined from solid brass 90° full-flow NPT swivel inlet (Zinc plated steel swivel on HP models)
- Swivel Seals: NITRILE

DESIGN & STRUCTURE

- Sturdy single pedestal reel with space saving design facilitates workplace organization
- Guide arm adjusts to wall, floor, vehicle & overhead positions
- Solid one piece, heavy gauge 1/4" steel base & support post for maximum stability
- 1" solid steel axle & lubricated precision bearings for smooth rotation

RETRACTION

- Controlled retraction speed up to 80% slower on EZ-Coil® models
- Enclosed factory tuned and matched cartridge-style spring motor
- Non-corrosive stainless steel spring, pawl and zinc plated ratchet
- Multi-position lock ratchet mechanism secures hose at desired length

SIGNATURE FEATURES

- Professional grade heavy duty steel construction
- Durable proprietary CPC™ powder coat finish
- CNC robotically spun and ribbed discs with rolled edges provide strength, safety, and durability
- Industry leading 2 year manufacturer's limited warranty
- Made in the U.S.A. – Sold & Supported Worldwide

POSSIBLE FIELDS OF APPLICATION

- Air/Water Services
- Pneumatic Tools
- Washdown
- Lubrication
- Chemical Fluid Transfer
- General Industrial
- Manufacturing Plants & Facilities
- Maintenance, Repair & Operations
- Automotive & Fleet Service Centers

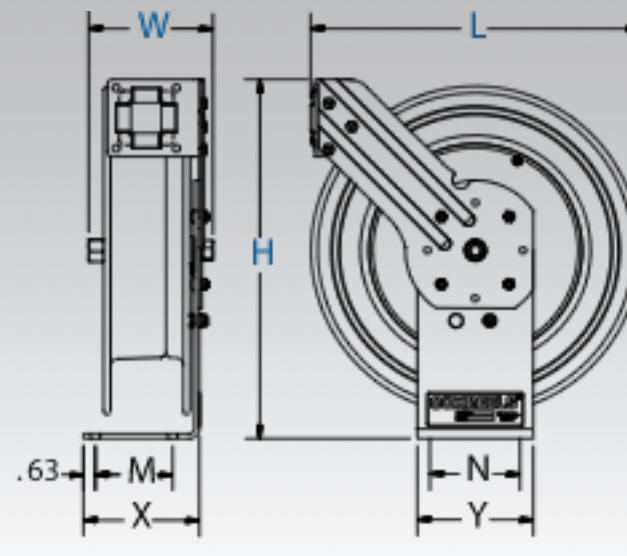
TECHNICAL DOCUMENTS

- Product manual - [DOWNLOAD](#)
- Exploded drawings - [DOWNLOAD](#)

HOSE FILTER

Show results with or without Hose

Y
 N
 [RESET SELECTION](#)



Click "Add to Quote" to view compatible accessories

LOW PRESSURE

REEL			SPECS				SIZE INDEX						
MODEL	LBS	HOSE	I.D.	O.D.	FT.	PSI	W	H	L	X	Y	M	N
							Overall Dimensions			Base		Mounting Pattern	
EZ-P-LP-125	27	Y	1/4"	1/2"	25	300	5-7/8"	14-7/8"	13-1/2"	5"	6"	3"	5"

EZ-P-LPL-125	24	N	1/4"	1/2"	25	300	5-7/8"	14-7/8"	13-1/2"	5"	6"	3"	5"	Add to Quote
EZ-P-LP-135	28	Y	1/4"	1/2"	35	300	5-7/8"	14-7/8"	13-1/2"	5"	6"	3"	5"	Add to Quote
EZ-P-LPL-135	25	N	1/4"	1/2"	35	300	5-7/8"	14-7/8"	13-1/2"	5"	6"	3"	5"	Add to Quote
EZ-P-LP-150	40	Y	1/4"	1/2"	50	300	6-3/4"	18-5/8"	17-1/8"	6"	6"	4"	5"	Add to Quote
EZ-P-LPL-150	35	N	1/4"	1/2"	50	300	6-3/4"	18-5/8"	17-1/8"	6"	6"	4"	5"	Add to Quote
EZ-P-LP-325	28	Y	3/8"	5/8"	25	300	6-1/2"	14-7/8"	13-1/2"	5"	6"	3"	5"	Add to Quote
EZ-P-LPL-325	25	N	3/8"	5/8"	25	300	6-1/2"	14-7/8"	13-1/2"	5"	6"	3"	5"	Add to Quote
EZ-P-LP-330	37	Y	3/8"	5/8"	30	300	6-3/4"	18-5/8"	17-1/8"	6"	6"	4"	5"	Add to Quote
EZ-P-LPL-330	33	N	3/8"	5/8"	30	300	6-3/4"	18-5/8"	17-1/8"	6"	6"	4"	5"	Add to Quote
EZ-P-LP-335	38	Y	3/8"	5/8"	35	300	6-3/4"	18-5/8"	17-1/8"	6"	6"	4"	5"	Add to Quote
EZ-P-LPL-335	34	N	3/8"	5/8"	35	300	6-3/4"	18-5/8"	17-1/8"	6"	6"	4"	5"	Add to Quote
EZ-P-LP-350	43	Y	3/8"	5/8"	50	300	6-3/4"	18-5/8"	17-1/8"	6"	6"	4"	5"	Add to Quote
EZ-P-LPL-350	36	N	3/8"	5/8"	50	300	6-3/4"	18-5/8"	17-1/8"	6"	6"	4"	5"	Add to Quote
EZ-P-LP-430	45	Y	1/2"	3/4"	30	300	7"	18-5/8"	17-1/8"	6"	6"	4"	5"	Add to Quote
EZ-P-LPL-430	40	N	1/2"	3/4"	30	300	7"	18-5/8"	17-1/8"	6"	6"	4"	5"	Add to Quote
EZ-P-LP-450	48	Y	1/2"	3/4"	50	300	7"	18-5/8"	17-1/8"	6"	6"	4"	5"	Add to Quote
EZ-P-LPL-450	43	N	1/2"	3/4"	50	300	7"	18-5/8"	17-1/8"	6"	6"	4"	5"	Add to Quote

MEDIUM PRESSURE

REEL			SPECS				SIZE INDEX							
MODEL	LBS	HOSE	I.D.	O.D.	FT.	PSI	W	H	L	X	Y	M	N	
							Overall Dimensions			Base		Mounting Pattern		
EZ-P-MP-425	49	Y	1/2"	13/16"	25	2500	7"	18-5/8"	17-1/8"	6"	6"	4"	5"	Add to Quote
EZ-P-MPL-425	42	N	1/2"	13/16"	25	2500	7"	18-5/8"	17-1/8"	6"	6"	4"	5"	Add to Quote
EZ-P-MP-430	51	Y	1/2"	13/16"	30	2500	7"	18-5/8"	17-1/8"	6"	6"	4"	5"	Add to Quote
EZ-P-MPL-430	43	N	1/2"	13/16"	30	2500	7"	18-5/8"	17-1/8"	6"	6"	4"	5"	Add to Quote

HIGH PRESSURE

REEL			SPECS				SIZE INDEX							
MODEL	LBS	HOSE	I.D.	O.D.	FT.	PSI	W	H	L	X	Y	M	N	
							Overall Dimensions			Base		Mounting Pattern		
EZ-P-HP-125	48	Y	1/4"	9/16"	25	5000	7"	18-5/8"	17-1/8"	6"	6"	4"	5"	Add to Quote
EZ-P-HPL-125	42	N	1/4"	9/16"	25	5000	7"	18-5/8"	17-1/8"	6"	6"	4"	5"	Add to Quote
EZ-P-HP-325	49	Y	3/8"	11/16"	25	4000	7"	18-5/8"	17-1/8"	6"	6"	4"	5"	Add to Quote
EZ-P-HPL-325	42	N	3/8"	11/16"	25	4000	7"	18-5/8"	17-1/8"	6"	6"	4"	5"	Add to Quote



USA Made, Quality & Support

We take great pride in designing, building and supplying the world's finest reels made right here in the U.S.A.



2 Year Warranty

Coxreels proudly stands behind our reels as they are built to last!

PRODUCTS

Spring Driven

EZ-Coil®

INDUSTRIES

NEW RELEASES

LITERATURE

REQUEST A QUOTE

FIND A DISTRIBUTOR

CONTACT US

Toll Free 800-269-7335

Fax 800-229-7335

Hand Crank

KNOWLEDGE CENTER

Email info@coxreels.com

Motor Driven

ABOUT COXREELS

Spring Driven & EZ-Coil® Accessories

Hand Crank & Motor Driven Accessories



5865 S. Ash Ave.
Tempe, AZ 85283

Copyright © 2015 Coxreels
[Privacy Policy](#) | [Terms & Conditions](#)