

EN SERIES



COXREELS EN Series "Enclosed" spring driven hose reels are protected by a powder coated steel casing that shields out the elements to protect and extend the life of the reel, the hose and the components inside. It adds a neat, tidy, aesthetic appearance to work environments that demand a clean and professional look. The 3 piece casing is easy to assemble and disassemble for simple installation and maintenance.

SWIVEL

- Machined from solid brass 90° full-flow NPT swivel inlet (Zinc plated steel swivel on HP models)
- Swivel Seals: NITRILE

DESIGN & STRUCTURE

- Sturdy enclosed reel for aesthetic purposes & greater hose protection
- Models with size index #2 feature Coxreels' exclusive Super Hub™ dual axle support system
- Solid one piece, heavy gauge 1/4" steel base & support post for maximum stability
- 1" solid steel axle & lubricated precision bearings for smooth rotation
- Heavy gauge steel 3-piece casing with adjustable hose roller guide

RETRACTION

- Enclosed factory tuned & matched cartridge-style spring motor
- Non corrosive stainless steel spring, pawl & zinc plated ratchet
- Multi-position lock ratchet mechanism secures hose at desired length

SIGNATURE FEATURES

- Professional grade heavy duty steel construction
- Durable proprietary CPC™ powder coat finish
- CNC robotically spun and ribbed discs with rolled edges provide strength, safety, and durability
- Industry leading 2 year manufacturer's limited warranty
- Made in the U.S.A. – Sold & Supported Worldwide

POSSIBLE FIELDS OF APPLICATION

- Air/Water Services
- Pneumatic Tools
- Lubrication
- Chemical Fluid Transfer
- General Industrial
- Restaurants & Commercial Kitchens
- Grocery Stores
- Food & Chemical Plants

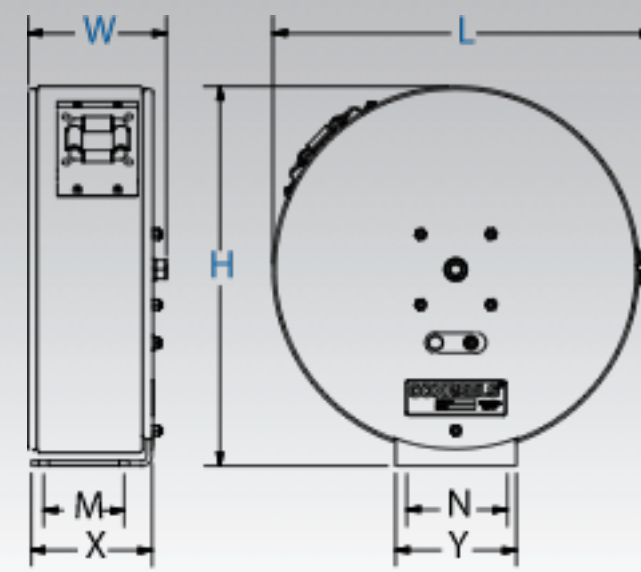
TECHNICAL DOCUMENTS

- Product manual - [DOWNLOAD](#)
- Exploded drawings - [DOWNLOAD](#)

HOSE FILTER

Show results with or without Hose

Y
 N
 [RESET SELECTION](#)



Click "Add to Quote" to view compatible accessories

LOW PRESSURE

Models with hose are for air or water service with a maximum temperature 150° F. Models less hose can be used for air, water or oil. **Note: Do not exceed listed hose O.D. to obtain maximum length.**

REEL			SPECS				SIZE INDEX						
MODEL	LBS	HOSE	I.D.	O.D.	FT.	PSI	W	H	L	X	Y	M	N
							Overall Dimensions			Base		Mounting Pattern	
EN-N-125	51	Y	1/4"	1/2"	25	300	6-7/8"	18-7/8"	19"	6"	6"	4"	5"

ENL-N-125	48	N	1/4"	1/2"	25	300	6-7/8"	18-7/8"	19"	6"	6"	4"	5"	Add to Quote
EN-N-135	51	Y	1/4"	1/2"	35	300	6-7/8"	18-7/8"	19"	6"	6"	4"	5"	Add to Quote
ENL-N-135	48	N	1/4"	1/2"	35	300	6-7/8"	18-7/8"	19"	6"	6"	4"	5"	Add to Quote
EN-N-150	52	Y	1/4"	1/2"	50	300	6-7/8"	18-7/8"	19"	6"	6"	4"	5"	Add to Quote
ENL-N-150	47	N	1/4"	1/2"	50	300	6-7/8"	18-7/8"	19"	6"	6"	4"	5"	Add to Quote
EN-N-160	65	Y	1/4"	1/2"	60	300	8-1/2"	21-3/4"	21-7/8"	6"	6"	4"	5"	Add to Quote
ENL-N-160	60	N	1/4"	1/2"	60	300	8-1/2"	21-3/4"	21-7/8"	6"	6"	4"	5"	Add to Quote
EN-N-325	49	Y	3/8"	5/8"	25	300	6-7/8"	18-7/8"	19"	6"	6"	4"	5"	Add to Quote
ENL-N-325	46	N	3/8"	5/8"	25	300	6-7/8"	18-7/8"	19"	6"	6"	4"	5"	Add to Quote
EN-N-335	50	Y	3/8"	5/8"	35	300	6-7/8"	18-7/8"	19"	6"	6"	4"	5"	Add to Quote
ENL-N-335	46	N	3/8"	5/8"	35	300	6-7/8"	18-7/8"	19"	6"	6"	4"	5"	Add to Quote
EN-N-350	65	Y	3/8"	5/8"	50	300	8-1/2"	21-3/4"	21-7/8"	6"	6"	4"	5"	Add to Quote
ENL-N-350	58	N	3/8"	5/8"	50	300	8-1/2"	21-3/4"	21-7/8"	6"	6"	4"	5"	Add to Quote
EN-N-360	68	Y	3/8"	5/8"	60	300	8-1/2"	21-3/4"	21-7/8"	6"	6"	4"	5"	Add to Quote
ENL-N-360	61	N	3/8"	5/8"	60	300	8-1/2"	21-3/4"	21-7/8"	6"	6"	4"	5"	Add to Quote
EN-N-425	63	Y	1/2"	3/4"	25	300	6-7/8"	18-5/8"	19"	6"	6"	4"	5"	Add to Quote
ENL-N-425	58	N	1/2"	3/4"	25	300	6-7/8"	18-7/8"	19"	6"	6"	4"	5"	Add to Quote
EN-N-435	64	Y	1/2"	3/4"	35	300	8-1/2"	21-3/4"	21-7/8"	6"	6"	4"	5"	Add to Quote
ENL-N-435	59	N	1/2"	3/4"	35	300	8-1/2"	21-3/4"	21-7/8"	6"	6"	4"	5"	Add to Quote
EN-N-450	69	Y	1/2"	3/4"	50	300	8-1/2"	21-3/4"	21-7/8"	6"	6"	4"	5"	Add to Quote
ENL-N-450	64	N	1/2"	3/4"	50	300	8-1/2"	21-3/4"	21-7/8"	6"	6"	4"	5"	Add to Quote

▶ See **EZ-COIL** offering

MEDIUM PRESSURE

Reels are furnished with standard one wire braid hose suitable for air, water or oil applications. Maximum temperature 250° F. **Note: Do not exceed listed hose O.D. to obtain maximum length.**

REEL			SPECS				SIZE INDEX							
MODEL	LBS	HOSE	I.D.	O.D.	FT.	PSI	W	H	L	X	Y	M	N	
							Overall Dimensions			Base		Mounting Pattern		
ENM-N-325	61	Y	3/8"	11/16"	25	3000	6-7/8"	18-7/8"	19"	6"	6"	4"	5"	Add to Quote
ENML-N-325	54	N	3/8"	11/16"	25	3000	6-7/8"	18-7/8"	19"	6"	6"	4"	5"	Add to Quote
ENM-N-335	64	Y	3/8"	11/16"	35	3000	6-7/8"	18-7/8"	19"	6"	6"	4"	5"	Add to Quote
ENML-N-335	55	N	3/8"	11/16"	35	3000	6-7/8"	18-7/8"	19"	6"	6"	4"	5"	Add to Quote
ENM-N-350	80	Y	3/8"	11/16"	50	3000	8-1/2"	21-3/4"	21-7/8"	6"	6"	4"	5"	Add to Quote
ENML-N-350	68	N	3/8"	11/16"	50	3000	8-1/2"	21-3/4"	21-7/8"	6"	6"	4"	5"	Add to Quote
ENM-N-425	61	Y	1/2"	13/16"	25	2500	6-7/8"	18-7/8"	19"	6"	6"	4"	5"	Add to Quote
ENML-N-425	54	N	1/2"	13/16"	25	2500	6-7/8"	18-7/8"	19"	6"	6"	4"	5"	Add to Quote
ENM-N-435	76	Y	1/2"	13/16"	35	2500	8-1/2"	21-3/4"	21-7/8"	6"	6"	4"	5"	Add to Quote
ENML-N-435	66	N	1/2"	13/16"	35	2500	8-1/2"	21-3/4"	21-7/8"	6"	6"	4"	5"	Add to Quote
ENM-N-450	82	Y	1/2"	13/16"	50	2500	8-1/2"	21-3/4"	21-7/8"	6"	6"	4"	5"	Add to Quote
ENML-N-450	68	N	1/2"	13/16"	50	2500	8-1/2"	21-3/4"	21-7/8"	6"	6"	4"	5"	Add to Quote

▶ See **EZ-COIL** offering

HIGH PRESSURE

Reels are furnished standard with S.A.E. 100R16 #1 or #2 wire braid hose suitable for grease and hydraulic oil applications. Maximum temp. 250° F. **Note:** Do not exceed listed hose O.D. to obtain maximum length.

REEL			SPECS				SIZE INDEX							
MODEL	LBS	HOSE	I.D.	O.D.	FT.	PSI	W	H	L	X	Y	M	N	Add to Quote
							Overall Dimensions			Base		Mounting Pattern		
ENH-N-125	60	Y	1/4"	9/16"	25	5000	6-7/8"	18-7/8"	19"	6"	6"	4"	5"	Add to Quote
ENHL-N-125	54	N	1/4"	9/16"	25	5000	6-7/8"	18-7/8"	19"	6"	6"	4"	5"	Add to Quote
ENH-N-135	63	Y	1/4"	9/16"	35	5000	6-7/8"	18-7/8"	19"	6"	6"	4"	5"	Add to Quote
ENHL-N-135	55	N	1/4"	9/16"	35	5000	6-7/8"	18-7/8"	19"	6"	6"	4"	5"	Add to Quote
ENH-N-150	79	Y	1/4"	9/16"	50	5000	8-1/2"	21-3/4"	21-7/8"	6"	6"	4"	5"	Add to Quote
ENHL-N-150	68	N	1/4"	9/16"	50	5000	8-1/2"	21-3/4"	21-7/8"	6"	6"	4"	5"	Add to Quote
ENH-N-160	85	Y	1/4"	9/16"	60	5000	8-1/2"	21-3/4"	21-7/8"	6"	6"	4"	5"	Add to Quote
ENHL-N-160	71	N	1/4"	9/16"	60	5000	8-1/2"	21-3/4"	21-7/8"	6"	6"	4"	5"	Add to Quote
ENH-N-325	61	Y	3/8"	11/16"	25	4000	6-7/8"	18-7/8"	19"	6"	6"	4"	5"	Add to Quote
ENHL-N-325	54	N	3/8"	11/16"	25	4000	6-7/8"	18-7/8"	19"	6"	6"	4"	5"	Add to Quote
ENH-N-335	76	Y	3/8"	11/16"	35	4000	8-1/2"	21-3/4"	21-7/8"	6"	6"	4"	5"	Add to Quote
ENHL-N-335	67	N	3/8"	11/16"	35	4000	8-1/2"	21-3/4"	21-7/8"	6"	6"	4"	5"	Add to Quote
ENH-N-350	80	Y	3/8"	11/16"	50	4000	8-1/2"	21-3/4"	21-7/8"	6"	6"	4"	5"	Add to Quote
ENHL-N-350	68	N	3/8"	11/16"	50	4000	8-1/2"	21-3/4"	21-7/8"	6"	6"	4"	5"	Add to Quote

▶ See **EZ-COIL** offering



USA Made, Quality & Support

We take great pride in designing, building and supplying the world's finest reels made right here in the U.S.A.



2 Year Warranty

Coxreels proudly stands behind our reels as they are built to last!

PRODUCTS

Spring Driven

EZ-Coil®

Hand Crank

Motor Driven

Spring Driven & EZ-Coil® Accessories

Hand Crank & Motor Driven Accessories

INDUSTRIES

NEW RELEASES

LITERATURE

KNOWLEDGE CENTER

ABOUT COXREELS

REQUEST A QUOTE

FIND A DISTRIBUTOR

CONTACT US

Toll Free **800-269-7335**

Fax **800-229-7335**

Email info@coxreels.com

5865 S. Ash Ave.
Tempe, AZ 85283

Copyright © 2015 Coxreels
[Privacy Policy](#) | [Terms & Conditions](#)

