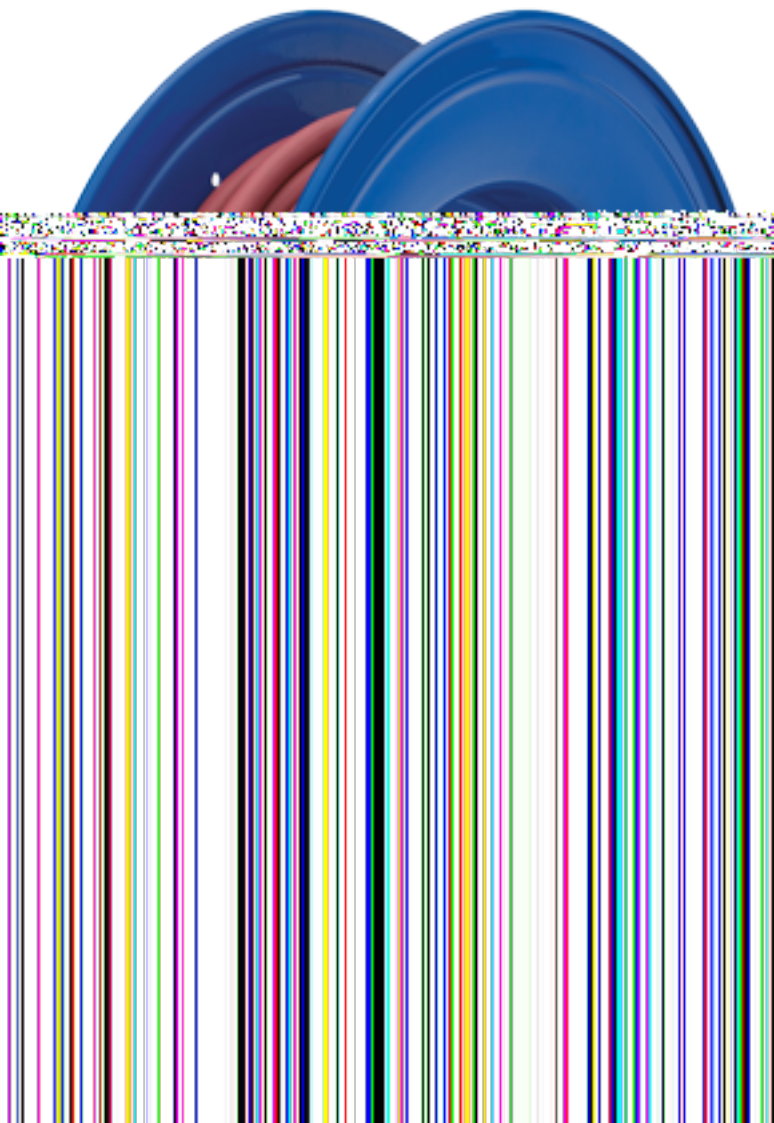


EZ-E SERIES



COXREELS E Series "Expandable" multiple bank system is the pinnacle in professional appearance and organization. The cabinets are interlocking and expandable to any number of spring driven reel assemblies required. Designed for easy installation, maintenance and servicing the E Series system is truly the professional's choice for multimedia delivery in one custom package.

SWIVEL

- External fluid path with machined from solid brass 90° full-flow NPT swivel inlet (Zinc plated steel swivel on HP models)
- Swivel Seals: NITRILE

DESIGN & STRUCTURE

- Designed for expandable metal cabinets & multiple reel bank systems
- Solid one piece, heavy gauge 1/4" steel base & support post for maximum stability
- 1" solid steel axle & lubricated precision bearings for smooth rotation

RETRACTION

- Controlled retraction speed up to 80% slower on EZ-Coil® models
- Enclosed factory tuned & matched cartridge-style spring motor
- Non corrosive stainless steel spring, pawl & zinc plated ratchet
- Multi-position lock ratchet mechanism secures hose at desired length

SIGNATURE FEATURES

- Professional grade heavy duty steel construction
- Durable proprietary CPC™ powder coat finish
- CNC robotically spun and ribbed discs with rolled edges provide strength, safety, and durability
- Industry leading 2 year manufacturer's limited warranty
- Made in the U.S.A. – Sold & Supported Worldwide

POSSIBLE FIELDS OF APPLICATION

- Air/Water Services
- Pneumatic Tools
- Washdown
- Lubrication
- Chemical Fluid Transfer
- General Industrial
- Cabinet Mount
- Manufacturing Plants & Facilities
- Maintenance, Repair & operations
- Automotive Dealerships
- Quick Lube Service Centers

MODELS

ACCESSORIES

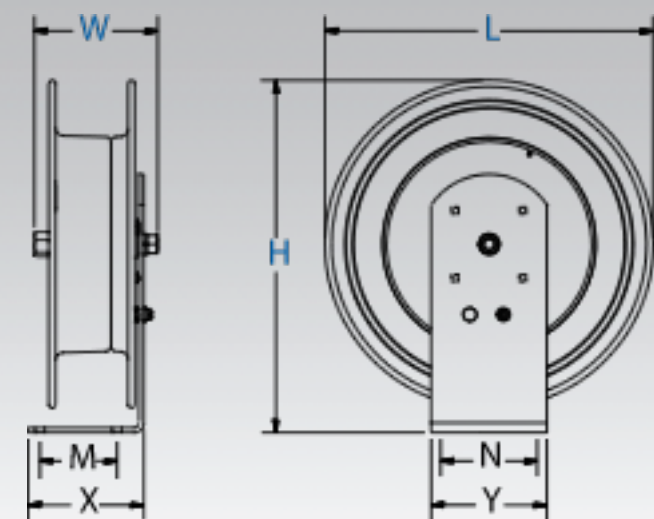
VIDEOS

TECHNICAL DOCUMENTS

- Product manual - [DOWNLOAD](#)
- Exploded drawings - [DOWNLOAD](#)

HOSE FILTER

Show results with or without Hose



Click "Add to Quote" to view compatible accessories

LOW PRESSURE

Models with hose are for air or water service with a maximum temperature 150° F. Models less hose can be used for air, water or oil. **Note: Do not exceed listed hose O.D. to obtain maximum length.**

REEL			SPECS				SIZE INDEX						
MODEL	LBS	HOSE	I.D.	O.D.	FT.	PSI	W	H	L	X	Y	M	N
							Overall Dimensions			Base		Mounting Pattern	
EZ-E-LPL-330	29	N	3/8"	5/8"	30	300	6-1/8"	18-1/4"	17-1/4"	6"	6"	4"	5"
EZ-E-LP-330	33	Y	3/8"	5/8"	30	300	6-1/8"	18-1/4"	17-1/4"	6"	6"	4"	5"

Add to Quote

Add to Quote

EZ-E-LP-350	46	Y	3/8"	5/8"	50	300	8-3/4"	21"	19-5/8"	6"	6"	4"	5"	Add to Quote
EZ-E-LPL-350	40	N	3/8"	5/8"	50	300	8-3/4"	21"	19-5/8"	6"	6"	4"	5"	Add to Quote
EZ-E-LPL-430	36	N	1/2"	3/4"	30	300	6-1/8"	18-1/4"	17-1/4"	6"	6"	4"	5"	Add to Quote
EZ-E-LP-430	41	Y	1/2"	3/4"	30	300	6-1/8"	18-1/4"	17-1/4"	6"	6"	4"	5"	Add to Quote
EZ-E-LP-450	50	Y	1/2"	3/4"	50	300	8-3/4"	21"	19-5/8"	6"	6"	4"	5"	Add to Quote
EZ-E-LPL-450	42	N	1/2"	3/4"	50	300	8-3/4"	21"	19-5/8"	6"	6"	4"	5"	Add to Quote

MEDIUM PRESSURE

Reels are furnished with standard one wire braid hose suitable for air, water or oil applications. Hose exceeds SAE R1 specifications. Maximum temperature 250° F. **Note: Do not exceed listed hose O.D. to obtain maximum length.**

REEL			SPECS				SIZE INDEX							
MODEL	LBS	HOSE	I.D.	O.D.	FT.	PSI	W	H	L	X	Y	M	N	Add to Quote
							Overall Dimensions			Base		Mounting Pattern		
EZ-E-MPL-330	39	N	3/8"	5/8"	30	3000	6-1/8"	18-1/4"	17-1/4"	6"	6"	4"	5"	Add to Quote
EZ-E-MP-330	47	Y	3/8"	5/8"	30	3000	6-1/8"	18-1/4"	17-1/4"	6"	6"	4"	5"	Add to Quote
EZ-E-MPL-350	49	N	3/8"	5/8"	50	3000	8-3/4"	21"	19-5/8"	6"	6"	4"	5"	Add to Quote
EZ-E-MP-350	61	Y	3/8"	5/8"	50	3000	8-3/4"	21"	19-5/8"	6"	6"	4"	5"	Add to Quote
EZ-E-MPL-430	39	N	1/2"	3/4"	30	2500	6-1/8"	18-1/4"	17-1/4"	6"	6"	4"	5"	Add to Quote
EZ-E-MP-430	47	Y	1/2"	3/4"	30	2500	6-1/8"	18-1/4"	17-1/4"	6"	6"	4"	5"	Add to Quote
EZ-E-MPL-450	49	N	1/2"	3/4"	50	2500	8-3/4"	21"	19-5/8"	6"	6"	4"	5"	Add to Quote
EZ-E-MP-450	63	Y	1/2"	3/4"	50	2500	8-3/4"	21"	19-5/8"	6"	6"	4"	5"	Add to Quote

HIGH PRESSURE

Reels are furnished standard with S.A.E. 100R16 #1 or #2 wire braid hose suitable for grease and hydraulic oil applications. Maximum temp. 250° F. **Note: Do not exceed listed hose O.D. to obtain maximum length.**

REEL			SPECS				SIZE INDEX							
MODEL	LBS	HOSE	I.D.	O.D.	FT.	PSI	W	H	L	X	Y	M	N	Add to Quote
							Overall Dimensions			Base		Mounting Pattern		
EZ-E-HP-130	46	Y	1/4"	9/16"	30	5000	7"	18-1/4"	17-1/4"	6"	6"	4"	5"	Add to Quote
EZ-E-HPL-130	39	N	1/4"	9/16"	30	5000	7"	18-1/4"	17-1/4"	6"	6"	4"	5"	Add to Quote
EZ-E-HP-150	60	Y	1/4"	9/16"	50	5000	9-1/4"	21"	19-5/8"	6"	6"	4"	5"	Add to Quote
EZ-E-HPL-150	49	N	1/4"	9/16"	50	5000	9-1/4"	21"	19-5/8"	6"	6"	4"	5"	Add to Quote
EZ-E-HP-330	47	Y	3/8"	11/16"	30	4000	7"	18-1/4"	17-1/4"	6"	6"	4"	5"	Add to Quote
EZ-E-HPL-330	39	N	3/8"	11/16"	30	4000	7"	18-1/4"	17-1/4"	6"	6"	4"	5"	Add to Quote
EZ-E-HP-350	61	Y	3/8"	11/16"	50	4000	9-1/4"	21"	19-5/8"	6"	6"	4"	5"	Add to Quote
EZ-E-HPL-350	49	N	3/8"	11/16"	50	4000	9-1/4"	21"	19-5/8"	6"	6"	4"	5"	Add to Quote



USA Made, Quality & Support

We take great pride in designing, building and supplying the world's finest reels made right here in the U.S.A.



2 Year Warranty

Coxreels proudly stands behind our reels as they are built to last!

[Spring Driven](#)

[EZ-Coil®](#)

[Hand Crank](#)

[Motor Driven](#)

[Spring Driven & EZ-Coil® Accessories](#)

[Hand Crank & Motor Driven Accessories](#)

[NEW RELEASES](#)

[LITERATURE](#)

[KNOWLEDGE CENTER](#)

[ABOUT COXREELS](#)

[FIND A DISTRIBUTOR](#)

[CONTACT US](#)

Fax [800-229-7335](tel:800-229-7335)

Email info@coxreels.com

5865 S. Ash Ave.
Tempe, AZ 85283

Copyright © 2015 Coxreels
[Privacy Policy](#) | [Terms & Conditions](#)

