

C SERIES



COXREELS C Series "Combination" spring driven hose reels are a combination of two hose reels in one compact assembly. They are perfect for applications in which two sources are needed to get the job done when space is a critical factor. The single mounting base creates stability and adds to the convenience of one mounting pattern. This series is also available in air hose/electrical cord combinations.

SWIVEL

- Two external fluid paths with machined from solid brass 90° full-flow NPT swivel inlets (Zinc plated steel swivels on HP models)
- Swivel Seals: NITRILE

DESIGN & STRUCTURE

- Compact two reel assembly for dual hose applications, each reel operates independently
- Guide arm adjusts to wall, floor & overhead positions
- Single expanded, 1/4" steel mounting base for increased stability & space efficiency
- One mounting pattern allow 1/2 the installation time required to install 2 reels at one station
- 1" solid steel axle & lubricated precision bearings for smooth rotation

RETRACTION

- Enclosed factory tuned & matched cartridge-style spring motor
- Non-corrosive stainless steel spring, pawl & zinc plated ratchet
- Multi-position lock ratchet mechanism secures hose at desired length

SIGNATURE FEATURES

- Professional grade heavy duty steel construction
- Durable proprietary CPC™ powder coat finish
- CNC robotically spun and ribbed discs with rolled edges provide strength, safety, and durability
- Industry leading 2 year manufacturer's limited warranty
- Made in the U.S.A. – Sold & Supported Worldwide

POSSIBLE FIELDS OF APPLICATION

- Air/Water Services
- Pneumatic Tools
- Washdown
- Lubrication
- Chemical Fluid Transfer
- General Industrial
- Manufacturing Plants & Facilities, Maintenance, Repair & Service Centers

MODELS

ACCESSORIES

VIDEOS

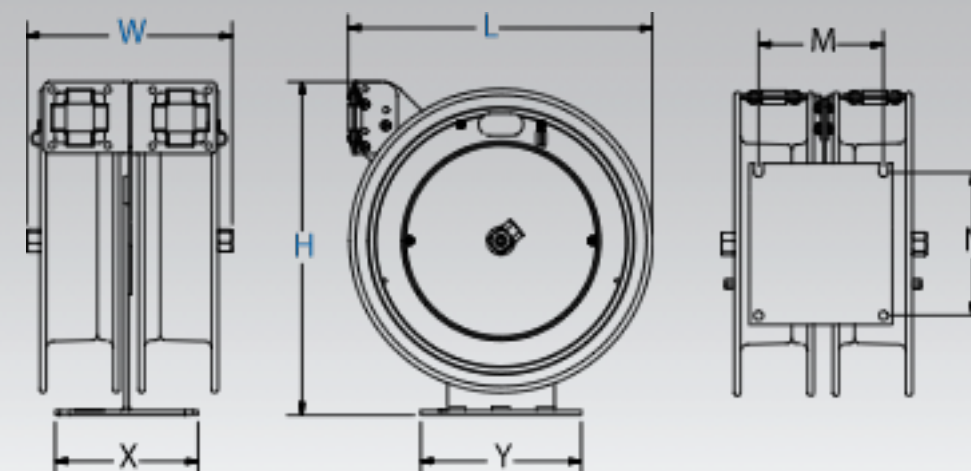
TECHNICAL DOCUMENTS

- Product manual - [DOWNLOAD](#)
- Exploded drawings - [DOWNLOAD](#)

HOSE FILTER

Show results with or without Hose

Y N [RESET SELECTION](#)



Click "Add to Quote" to view compatible accessories

LOW PRESSURE

Models with hose are for air or water service with a maximum temperature 150° F. Models less hose can be used for air, water or oil. **Note: Do not exceed listed hose O.D. to obtain maximum length.**

REEL			SPECS				SIZE INDEX						
MODEL	LBS	HOSE	I.D.	O.D.	FT.	PSI	W	H	L	X	Y	M	N
							Overall Dimensions			Base		Mounting Pattern	
C-LP-125-125	66	Y	1/4"	1/2"	25	300	10-1/2"	18-5/8"	17"	8"	9"	7"	8"
C-LPL-125-125	60	N	1/4"	1/2"	25	300	10-1/2"	18-5/8"	17"	8"	9"	7"	8"

[Add to Quote](#)

[Add to Quote](#)

C-LP-135-135	67	Y	1/4"	1/2"	35	300	10-1/2"	18-5/8"	17"	8"	9"	7"	8"	Add to Quote
C-LPL-135-135	60	N	1/4"	1/2"	35	300	10-1/2"	18-5/8"	17"	8"	9"	7"	8"	Add to Quote
C-LP-150-150	74	Y	1/4"	1/2"	50	300	10-1/2"	18-5/8"	17"	8"	9"	7"	8"	Add to Quote
C-LPL-150-150	64	N	1/4"	1/2"	50	300	10-1/2"	18-5/8"	17"	8"	9"	7"	8"	Add to Quote
C-LP-325-325	67	Y	3/8"	5/8"	25	300	11-1/2"	18-5/8"	17"	8"	9"	7"	8"	Add to Quote
C-LPL-325-325	60	N	3/8"	5/8"	25	300	11-1/2"	18-5/8"	17"	8"	9"	7"	8"	Add to Quote
C-LP-335-335	69	Y	3/8"	5/8"	35	300	11-1/2"	18-5/8"	17"	8"	9"	7"	8"	Add to Quote
C-LPL-335-335	60	N	3/8"	5/8"	35	300	11-1/2"	18-5/8"	17"	8"	9"	7"	8"	Add to Quote
C-LP-350-350	78	Y	3/8"	5/8"	50	300	11-1/2"	18-5/8"	17"	8"	9"	7"	8"	Add to Quote
C-LPL-350-350	64	N	3/8"	5/8"	50	300	11-1/2"	18-5/8"	17"	8"	9"	7"	8"	Add to Quote
C-LP-425-425	70	Y	1/2"	3/4"	25	300	11-1/2"	18-5/8"	17"	8"	9"	7"	8"	Add to Quote
C-LPL-425-425	60	N	1/2"	3/4"	25	300	11-1/2"	18-5/8"	17"	8"	9"	7"	8"	Add to Quote

MEDIUM PRESSURE

Reels are furnished with standard one wire braid hose suitable for air, water or oil applications. Maximum temperature 250° F. **Note: Do not exceed listed hose O.D. to obtain maximum length.**

REEL			SPECS				SIZE INDEX							
MODEL	LBS	HOSE	I.D.	O.D.	FT.	PSI	W	H	L	X	Y	M	N	Add to Quote
							Overall Dimensions			Base		Mounting Pattern		
C-MP-325-325	80	Y	3/8"	11/16"	25	3000	11-1/2"	18-5/8"	17"	8"	9"	7"	8"	Add to Quote
C-MPI-325-325	66	N	3/8"	11/16"	25	3000	11-1/2"	18-5/8"	17"	8"	9"	7"	8"	Add to Quote
C-MP-335-335	86	Y	3/8"	11/16"	35	3000	11-1/2"	18-5/8"	17"	8"	9"	7"	8"	Add to Quote
C-MPL-335-335	68	N	3/8"	11/16"	35	3000	11-1/2"	18-5/8"	17"	8"	9"	7"	8"	Add to Quote
C-MP-425-425	78	Y	1/2"	13/16"	25	2500	11-1/2"	18-5/8"	17"	8"	9"	7"	8"	Add to Quote
C-MPL-425-425	64	N	1/2"	13/16"	25	2500	11-1/2"	18-5/8"	17"	8"	9"	7"	8"	Add to Quote
C-MP-430-430	84	Y	1/2"	13/16"	30	2500	11-1/2"	18-5/8"	17"	8"	9"	7"	8"	Add to Quote
C-MPL-430-430	66	N	1/2"	13/16"	30	2500	11-1/2"	18-5/8"	17"	8"	9"	7"	8"	Add to Quote

HIGH PRESSURE

Reels are furnished standard with S.A.E. 100R16 #1 or #2 wire braid hose suitable for grease and hydraulic oil applications. Maximum temp. 250° F. **Note: Do not exceed listed hose O.D. to obtain maximum length.**

REEL			SPECS				SIZE INDEX							
MODEL	LBS	HOSE	I.D.	O.D.	FT.	PSI	W	H	L	X	Y	M	N	Add to Quote
							Overall Dimensions			Base		Mounting Pattern		
C-HP-125-125	78	Y	1/4"	9/16"	25	5000	11-1/2"	18-5/8"	17"	8"	9"	7"	8"	Add to Quote
C-HPL-125-125	66	N	1/4"	9/16"	25	5000	11-1/2"	18-5/8"	17"	8"	9"	7"	8"	Add to Quote
C-HP-135-135	84	Y	1/4"	9/16"	35	5000	11-1/2"	18-5/8"	17"	8"	9"	7"	8"	Add to Quote
C-HPL-135-135	68	N	1/4"	9/16"	35	5000	11-1/2"	18-5/8"	17"	8"	9"	7"	8"	Add to Quote
C-HP-325-325	78	Y	3/8"	11/16"	25	4000	11-1/2"	18-5/8"	17"	8"	9"	7"	8"	Add to Quote
C-HPL-325-325	64	N	3/8"	11/16"	25	4000	11-1/2"	18-5/8"	17"	8"	9"	7"	8"	Add to Quote
C-HP-330-330	82	Y	3/8"	11/16"	30	4000	11-1/2"	18-5/8"	17"	8"	9"	7"	8"	Add to Quote
C-HPL-330-330	66	N	3/8"	11/16"	30	4000	11-1/2"	18-5/8"	17"	8"	9"	7"	8"	Add to Quote



USA Made, Quality & Support

We take great pride in designing, building and supplying the world's finest reels made right here in the U.S.A.



2 Year Warranty

Coxreels proudly stands behind our reels as they are built to last!

PRODUCTS

- Spring Driven
- EZ-Coil®
- Hand Crank
- Motor Driven
- Spring Driven & EZ-Coil® Accessories
- Hand Crank & Motor Driven Accessories

INDUSTRIES

NEW RELEASES

LITERATURE

KNOWLEDGE CENTER

ABOUT COXREELS

REQUEST A QUOTE

FIND A DISTRIBUTOR

CONTACT US

Toll Free [800-269-7335](tel:800-269-7335)

Fax [800-229-7335](tel:800-229-7335)

Email info@coxreels.com

5865 S. Ash Ave.
Tempe, AZ 85283

Copyright © 2015 Coxreels
[Privacy Policy](#) | [Terms & Conditions](#)

